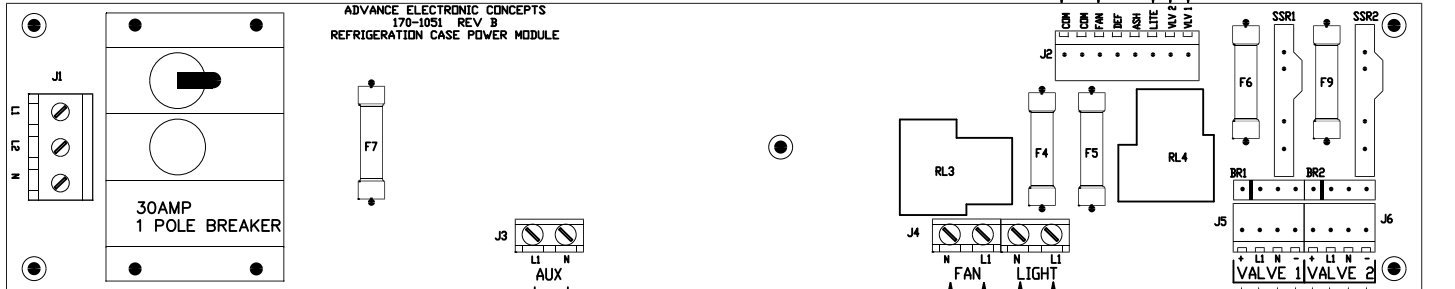


MEDIUM TEMP REFRIGERATION CASE POWER MODULE WIRING DIAGRAM
 MODEL: RCPM-1P-24AC

Connector Torque			
Connector	Min Wire Size	Max Wire Size	Torque
J1	10 AVG	6 AVG	11 LB-IN
J3, J4	14 AVG	10 AVG	4.4 LB-IN
J2, J5, J6	20 AVG	14 AVG	3.5 LB-IN

Connect to 120VAC with Neutral
 30 Amp Input Protection

ADVANCE ELECTRONIC CONCEPTS
 170-1051 REV B
 REFRIGERATION CASE POWER MODULE



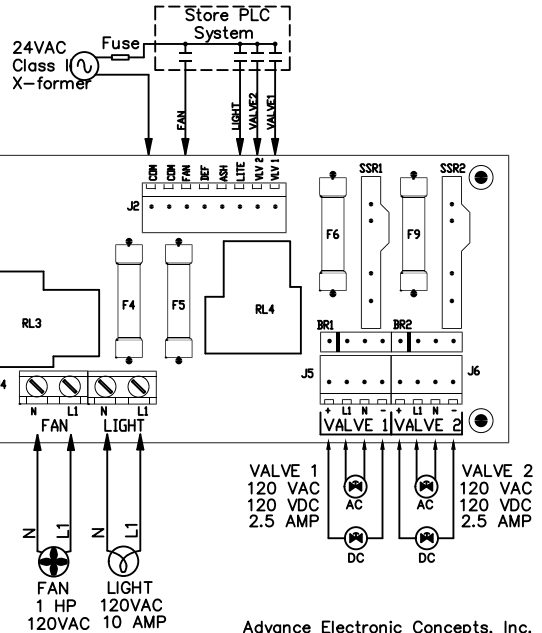
FUSE GUIDE (All Fuses 250VAC Min Rating)

- F4 = 10 AMP (FAN L1)
- F5 = 10 AMP (LIGHT)
- F6 = 2.5 AMP (VALVE 1)
- F7 = 5 AMP (AUX)
- F9 = 2.5 AMP (VALVE 2)

"WARNING"

"To reduce the risk of electric shock, replace only with the same type and rating fuse"

"Use Copper Conductors Only"
 Before service, all breakers must be in the "OFF" Position



Advance Electronic Concepts, Inc.
 Doc #008-1032 Rev C